

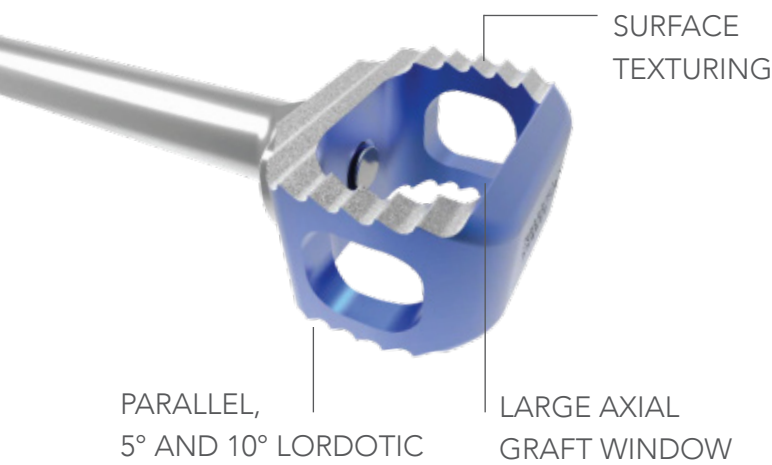


Magna C IBF System

MAGNA C IBF SYSTEM

The One Surgical **Magna C Interbody Fusion System** is designed as a simple, yet complete, interbody fusion system. The single tray layout and range of implants reduce operating room logistics while providing surgical options for each patient. Each implant is precision machined from either specially-formulated PEEK polymer or Titanium, which incorporates surface texturing intended to promote bone on-growth. The contoured, low-profile implant design features beveled edges for easier insertion and back-angled teeth for migration resistance. Instruments include an easily attachable Inserter that doubles as an Impactor, and a full range of Trials and aggressive Rasps for disc preparation.

Titanium



PEEK

