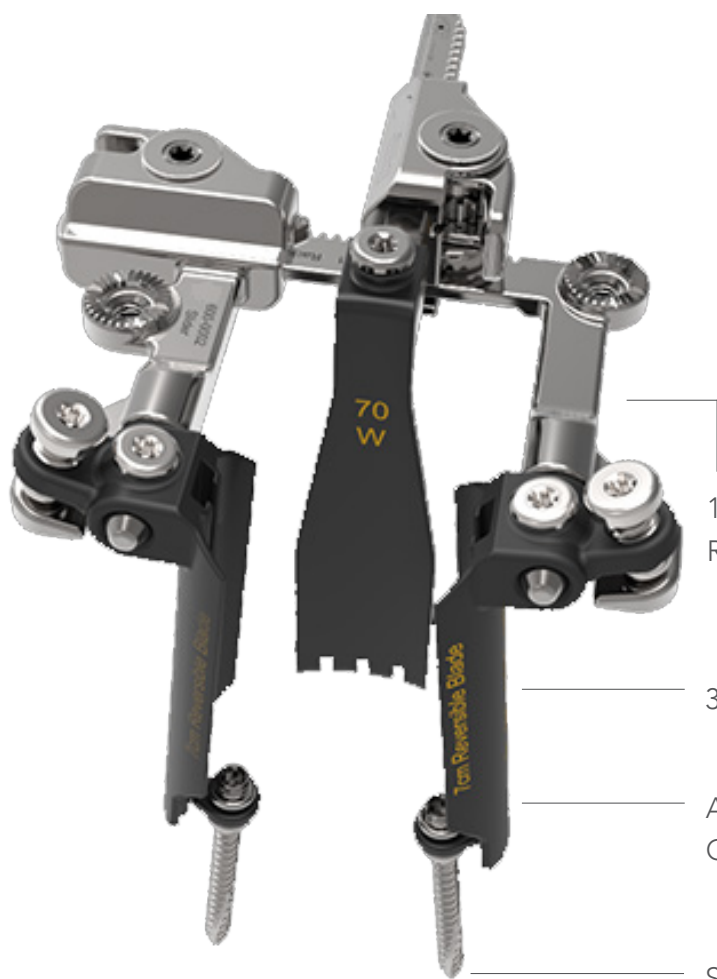




Seperatum Retractor System

SEPERATUM RETRACTOR SYSTEM

The One Surgical **Separatum Retractor System** is a pedicle based posterior lumbar access system designed to support PLIF, TLIF, and ELIF surgeries. The system features patient-mounted blades with pedicle anchors that allow for intraoperative distraction, allowing versatility for 1 and 2-level procedures.



1 AND 2-LEVEL
RETRACTION RANGE

30° DISTAL BLADE TOW

ACCURATE POSITIONING
OVER GUIDE WIRES

SELF-TAPPING ANCHORS

2, 3, AND 4 BLADE
CONFIGURATIONS

60 - 90mm
BLADE LENGTHS

NARROW AND
WIDE BLADES

